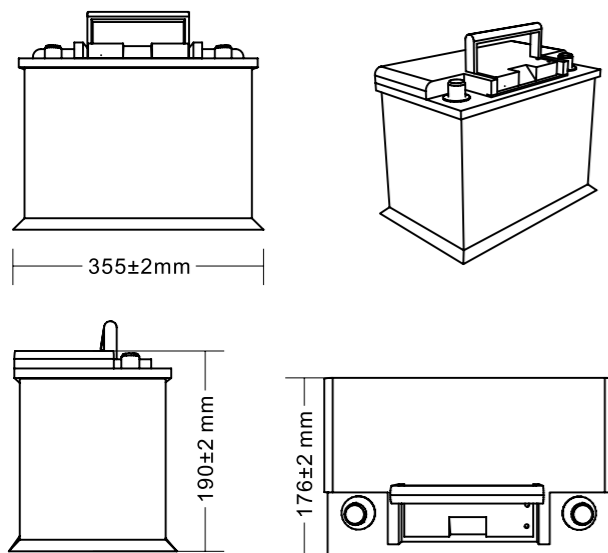


12.8V 100Ah

LFP Li-ion Battery



Dimension:



Unit: mm

SAFETY

- + Prismatic LiFePO4 cells (50Ah), High consistency, long cycle life and much more safety.
- + UN38.3, CE certification for system.
- + The cycle life over 3000 times @80%DOD

DESIGN

- + ABS container, replace VRLA battery perfectly.
- + Fast charge performance.
- + -20~ +55° C widely temperature range.
- + Maintenance free.

BATTERY MANAGEMENT SYSTEM (BMS)

- + Integrated hardware BMS inside.
- + Independent protection for charge and discharge.
- + Over voltage, low voltage, over temperature and short circuit protection.

12.8V100Ah

Specification

| | |
|----------------------------------|---|
| Model | R-LFP12.8V100Ah |
| Part Number | 8010128010003 |
| Nominal Voltage [V] | 12.8 |
| Nominal Capacity [Ah] | 100 |
| Total Energy [Wh] | 1280 |
| Max. Charging Current [A] | 100 |
| Recommended Charging Current [A] | 50 |
| Charging Voltage [V] | 14.6 |
| Max. Discharging Current [A] | 100 |
| End of Discharge Voltage [V] | 11.2 |
| Pulse Discharge Current | 270A @ 10s |
| Dimension [W*D*H, mm] | 355*176*190 |
| Weight [Kg] | 15.0 |
| Operation Humidity | 0~95% RH (No condensing) |
| Operating Temperature Range | Charge: 0 ~ +50 °C; Optional (Heat Func : Charge: Discharge: -20 ~ +55 °C; -20 ~ +50 °C;) |
| BMS Protection | Over charge Over discharge, Over/ Unter temperature, Over current, Short circuit |
| Parallel Support | Yes, Max 2 Sets |
| Series Support | Yes, Max 4 Sets |
| Cycle Life | >3000 |
| Designed Calendar Life | >10 Years |
| Certification | UN38.3, CE, MSDS |

Note:
1. 80% DOD and to 80% of initial capacity.

The datasheet is subject to change without prior notification

For more information, contact with: sales@ritarpower.com